

DIRECTIONS FOR USE: - MOUNTING BRACKET -

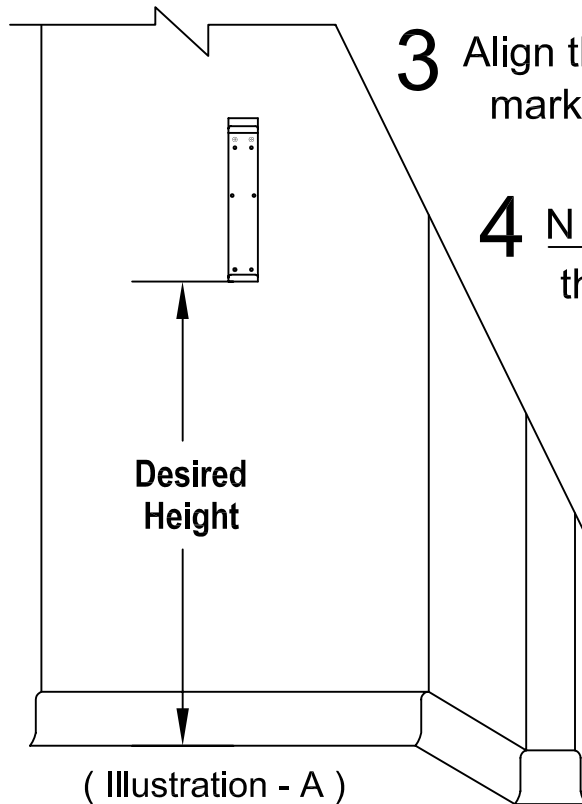
Reorder # 2103-WB

Patent Pending

Use With 2103 And 2309

1 Acquire the appropriate screw / anchor for the surface you are mounting to. You may have drywall, brick, metal etc.. (Your maintenance department should determine what to use).

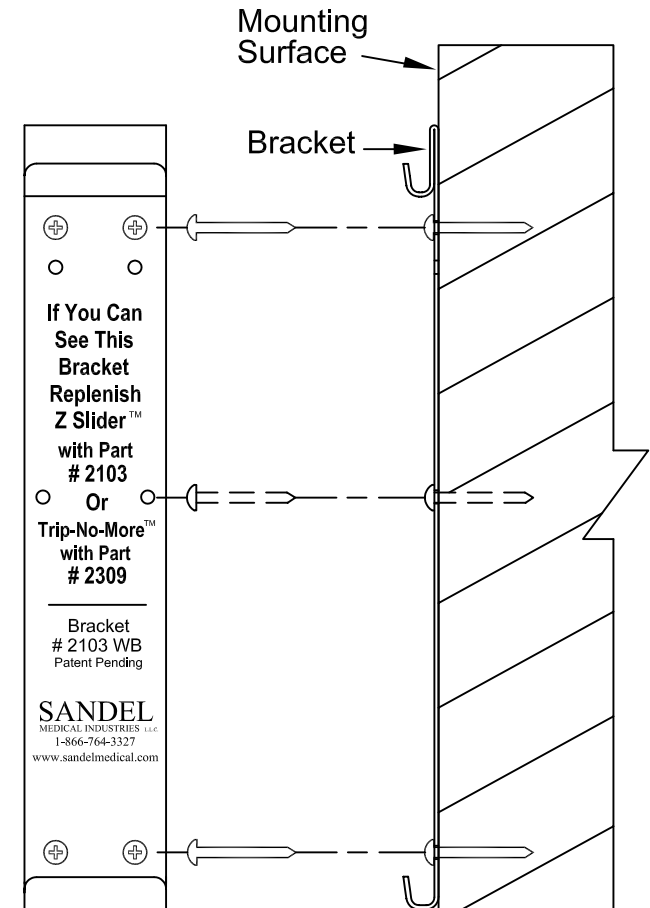
2 Measure and mark your desired height, as shown in illustration (A). We recommend no lower than 2ft. 6 inches.



3 Align the bottom of the bracket with your mark and screw in place.

4 NOTE: It is recommended that 4 of the 8 holes be used to secure bracket to wall, as shown in illustration (B).

- BOX WEIGHT -		
Part #	Prod. Name:	WT.
2103	Z- Slider™	6.7 Lbs.
2309	Trip-No-More™	9 Lbs.



19736 Dearborn Street. Chatsworth, CA 91311
Ph. 1-866-764-3327 www.sandelmedical.com