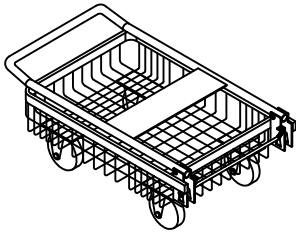
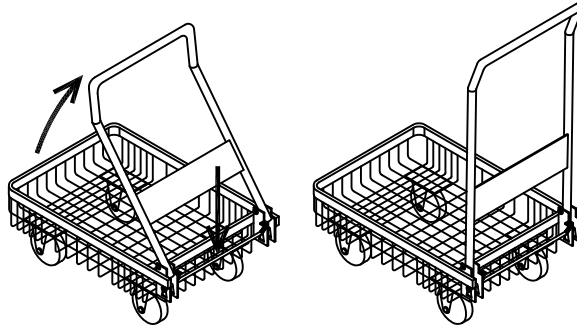


DIRECTIONS FOR USE: Ergo-Step™ Stool Cart

Reorder No. 1170-C



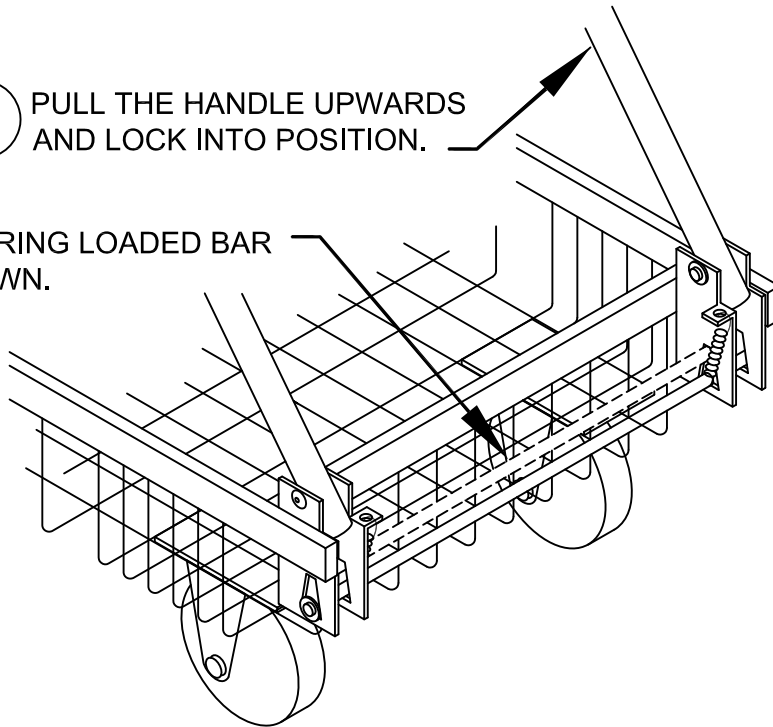
HANDLE SHOWN IN
THE DOWN POSITION.



PRESS THE SPRING LOADED BAR
DOWN, PULL THE HANDLE UP AND
LOCK INTO POSITION.

2 PULL THE HANDLE UPWARDS
AND LOCK INTO POSITION.

1 PRESS THE SPRING LOADED BAR
DOWN AS SHOWN.



CAUTION!
Wash & Dry Cycle
not to exceed
100° Fahrenheit
(37.8° Celsius)

SANDEL
Leaders in Healthcare Safety®

Ansell

Ansell Sandel Medical Solutions LLC
19736 Dearborn St., Chatsworth, CA 91311
818-534-2500 www.sandelmedical.com

Safety means NEVER having to say you're sorry.®

In the healthcare industry, the color orange is a trademark of Sandel Medical Industries, LLC.