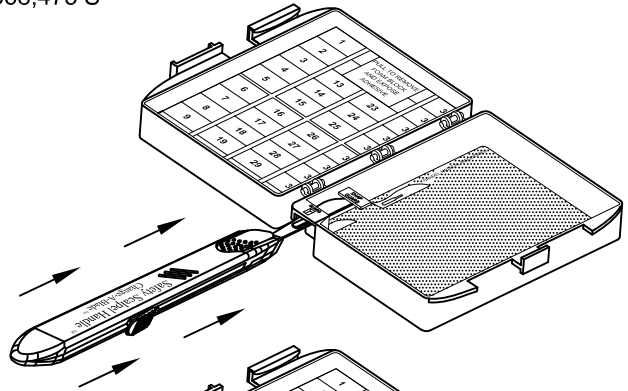


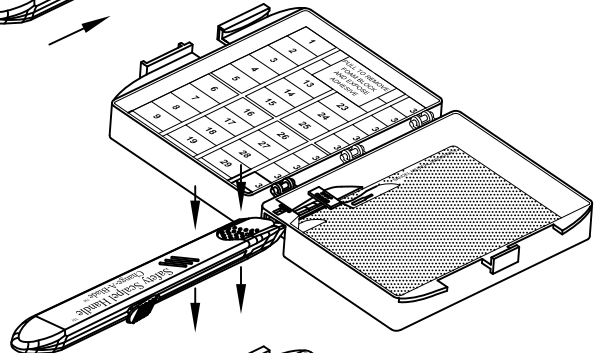
# DIRECTIONS FOR USE: Scalpel Disarmer™

Some Components Patented & Patent Pending  
Pat. # US D568,475 S

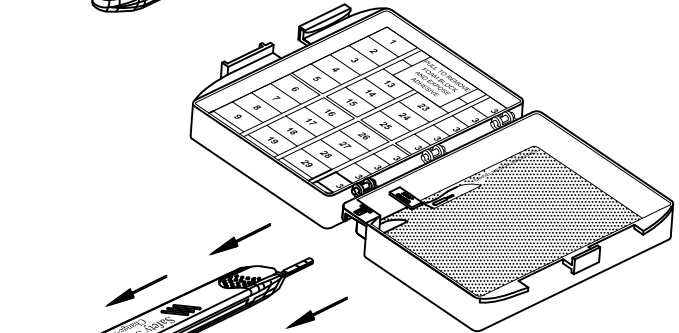
1. INSERT BLADE UNDER THE GUARD & SNAP GUARD WITH THE SHARP EDGE TOWARDS INSIDE WALL OF BOX.



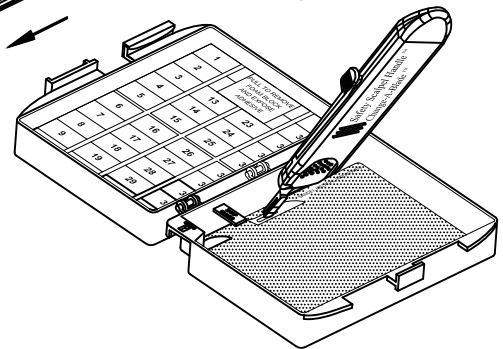
2. PRESS DOWNWARD WITH INDEX FINGER ON ORANGE SHIELD AT FRONT OF SCAPEL.



3. PULL HANDLE BACKWARDS.



4. PLACE BLADE ON MAGNETIC PAD AT DESIRED LOCATION USING TIP OF HANDLE.



**SANDEL**  
the original exclusive sponsor of  
**AORN**  
Patient Safety First program.

  
**SANDEL** LLC  
Leaders in Healthcare Safety

Sandel Medical Industries, LLC  
19736 Dearborn Street, Chatsworth, CA 91311  
1-818-534-2500 [www.sandelmedical.com](http://www.sandelmedical.com)