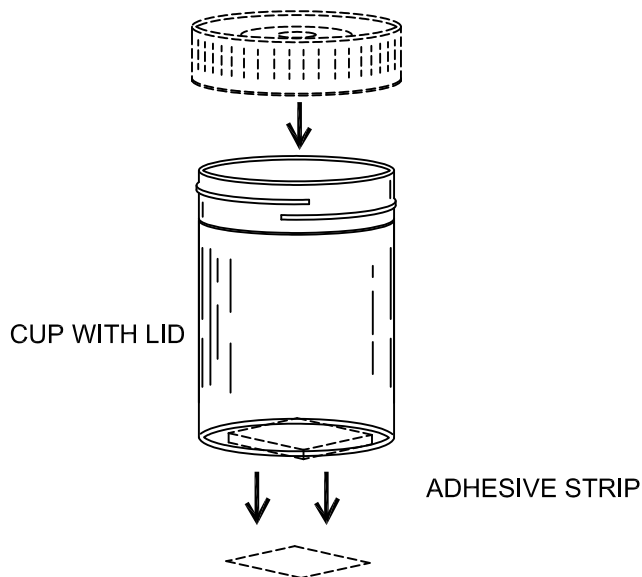


DIRECTIONS FOR USE:  
**Medicine Cup , 120CC W/Lid**

Reorder No. 3470

- 1 Remove Adhesive Backing From Bottom Of Cup, Then Adhere To A Surface.**



  
Leaders in Healthcare Safety<sup>®</sup>

Sandel Medical Industries, LLC  
19736 Dearborn St. Chatsworth, CA 91311  
818-534-2500 [www.sandelmedical.com](http://www.sandelmedical.com)

Safety means NEVER having to say you're sorry.<sup>®</sup>

In the healthcare industry, the color orange is a trademark of Sandel Medical Industries, LLC.